

RS PRO S30 SC

PMMA warm white
EAN 4007841 068059
Article number 068059



LED	3000 K							5 years	CE
30 Jahre (Ø 4,5 Std / Tag)	3000K warmweiß	Hochfrequenz Sensor 360°	1 - 8 m	2 - 2000 Lux	5 Sek - 15 Min	Kabellos vernetzbar	Energie sparen	Herstellergarantie steinel-professional.de/garantie	CE

Function description

Intelligence is not a question of size. It's a question of inner values. The smartest luminaire in the world, now even better! High-frequency sensor luminaire RS PRO S-series, ideal for office corridors, hallways, toilet facilities, stairwells, including radio networking with other RS PRO S-series, 25,8 W LED, 2615 lm, PMMA cover, 3000 K, 360° detection, range Ø 1 - 8 m continuously adjustable, basic light function, and neighbourhood group function. The S-series can also be operated with direct current, which enables connection to central battery systems.

Technical specifications

Dimensions (Ø x H)	350 x 83 mm	Total product efficiency	101 lm/W
With lamp	Yes, STEINEL LED system	Colour temperature	3000 K
With motion detector	Yes	Colour variation LED	SDCM3
Manufacturer's Warranty	5 years	Lamp	LED cannot be replaced
Settings via	Bluetooth	Base	Other
With remote control	No	LED cooling system	Passive Thermo Control
Version	PMMA warm white	Soft light start	Yes
PU1, EAN	4007841068059	Continuous light	selectable, 4h
Application, place	Indoors	Functions	Neighbouring group function, Presence function, Group parameterisation, Manual ON / ON-OFF, Connection to central battery systems, Motions sensor, DIM function, Adjustable fade time when switching on and off, Free selection of the light value in a luminaire group, Normal / test mode, Orientation light, Presence detector logic, Encrypted communication
Application, room	changing room, kitchenette, Indoors, outdoors, WC / washroom, stairwell, function room / ancillary room, corridor / aisle	Twilight setting	2 - 2000 lx
Colour	Silver		
includes sheet of self-adhesive numbers	No		
Installation site	wall, ceiling		

RS PRO S30 SC

PMMA warm white
 EAN 4007841 068059
 Article number 068059



Technical specifications

Installation	Wall, Ceiling, Surface wiring
Impact resistance	IK07
IP-rating	IP20
Protection class	II
Ambient temperature	-20 – 40 °C
Housing material	Aluminium
Cover material	Plastic, opal
Mains power supply	220 – 240 V / 50 – 60 Hz
Power consumption	0,39 W
Mounting height max.	4,00 m
HF-system	5,8 GHz
Slave modeselectable	Yes
Detection	also through glass, wood and stud walls
Capability of masking out individual segments	Yes
Electronic scalability	Yes
Mechanical scalability	No
Reach, radial	Ø 10 m (79 m ²)
Reach, tangential	Ø 10 m (79 m ²)
Photo-cell controller	Yes
Transmitter power	< 1 mW
Luminous flux total product	2615 lm

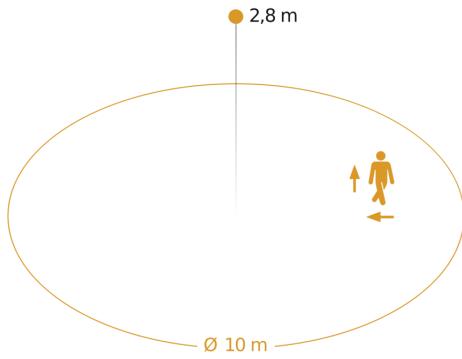
Time setting	5 s – 60 Min.
Basic light level function	Yes
Basic light level function, detail	LED effect light
Basic light level function time	1-60 min
Main light adjustable	Yes
Twilight setting TEACH	Yes
Interconnection	Yes
Type of interconnection	Master/master, Master/slave
Interconnection via	Bluetooth Mesh Connect
Lifetime LED according to IEC-62717 (L70)	100.000 h
Lifetime LED according to IEC-62717 (L80)	74.000 h
Lebensdauer LED nach IES TM-21 (L70)	>60.000 h
Lifetime LED according to IES TM-21 (L80)	>60.000 h
Fuse protection B10	36
Fuse protection B16	58
Fuse protection C10	61
Fuse protection C16	97
Basic light level function in per cent	7 – 100 %
Output	25,8 W
Starting current, maximum	16,5 A
Angle of aperture	160 °
IP-rating, ceiling	IP20
Detection angle	360 °

RS PRO S30 SC

PMMA warm white
 EAN 4007841 068059
 Article number 068059

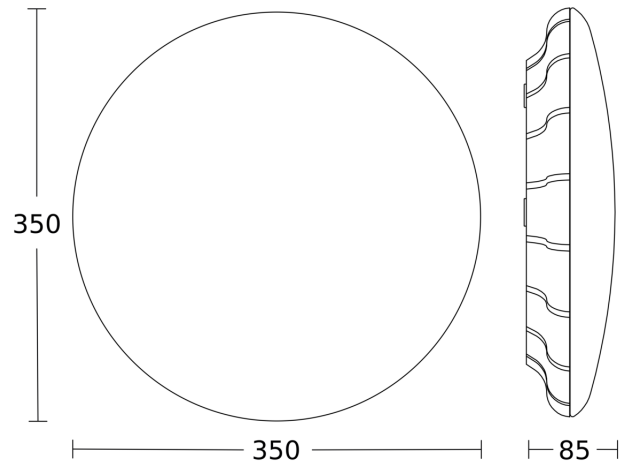


Detection Zone

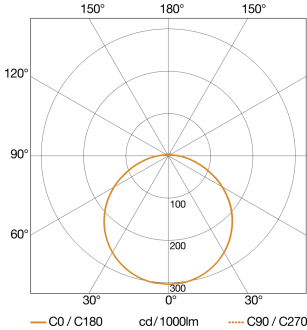


Possible mounting height: 2,00 m - 4,00 m
 Orange: radial and tangential

Dimension Drawing

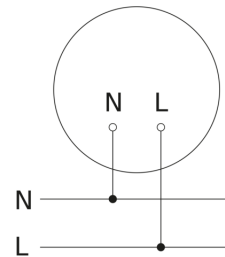


Light Distribution Curve



Output	25,8 W
With lamp	Yes, STEINEL LED system
Lamp	LED cannot be replaced
Measured luminous flux (360°)	2615 lm
Colour temperature	3000 K
LED life expectancy (max. °C)	55000 h
LED cooling system	Passive Thermo Control

Slave/wireless master interconnection circuit diagram



Sensor-switched LED indoor light - Professional Line

RS PRO S30 SC

PMMA warm white
EAN 4007841 068059
Article number 068059



Master/master interconnection circuit diagram

